



ExSite™ Series Explosionproof Positioning System

PAN/TILT SYSTEM WITH IOP CAMERA AND OPTIONAL WIPER

Product Features

- Electropolished 316L Stainless Steel Construction
- Upright or Inverted Operation
- Receiver, Pan/Tilt, and Enclosure with an Integrated Optics Package (IOP)
- Two Auto Focus, High-Resolution Integrated Optic Packages
 - Day/Night, 80X Wide Dynamic Range, and Motion Detection
 - Color 22X EXview HAD™
- Multilanguage On-Screen Menus
- Password Protection
- Programmable Camera Settings
- On-Screen Compass, Tilt, and Zoom Display
- Variable Speed Pan: 0.1° to 40°/second with Proportional Pan
- 360° Continuous Pan Rotation
- Tilt Range of +90° to -90° from Horizontal
- Preset Positioning, Patterns, Multiple Scan Modes
- Designed for Minimal Maintenance
- Built-in System Memory
- Software Update and Setup via Remote Data Port (IPS-RDPE-2)



- Password Protection to Prevent Unauthorized Changes to the System
- On-Board Connector for
 - Pelco VC-UTP Video Converter
 - Pelco TXB Series Protocol Translator Boards

The **ExSite™ Series** are innovative integrated positioning systems that meet stringent explosionproof requirements. The **ExSite Series** not only combine a receiver, pan/tilt, and enclosure in a single, easy-to-install system, but also includes an Integrated Optics Package (IOP). The Integrated Optics Package contains an auto-focus camera and lens module with programmable features.

For a wide range of applications, the **ExSite Series** feature a choice of two different IOP cameras: a high-resolution camera with LowLight™ color technology and 22X zoom lens (22X optical, 10X digital), and a high-resolution day/night camera with a removable infrared cut filter and 23X zoom lens (23X optical, 10X digital).

The electropolished 316L stainless steel construction makes the **ExSite Series** ideal for all kinds of environmental conditions including marine applications. The system has an absolute operating temperature range of -60° to 60°C. Within two hours after power-up, the entire unit can de-ice and be operational from a temperature of -25°C.

The **ExSite Series** include an optional window wiper. The wiper is completely integrated into the enclosure and does not interfere with the

viewing range of the system. The wiper can be programmed to delay between wipes and to automatically shut off after a specified period. A built-in heater, window defroster/defogger, sun shroud, and blower are standard features on the **ExSite Series**. All units also include three auxiliary output relays that can be programmed for a variety of uses.

The **ExSite Series** variable pan and tilt speeds range from 0.1 to 40 degrees per second in manual pan, tilt, and preset mode. The **ExSite Series** is capable of 360 degrees of continuous pan rotation. The tilt range allows for horizontal viewing of -90 to +90 degrees. There are 80 preset positions with a preset accuracy of ±0.1 degree.

The systems are available with an input voltage of 24 VAC or with a power source of 100-240 VAC. The **ExSite Series** also have a power-up recovery mode that allows the user to specify what operation the system will resume whenever the power is cycled.

ExSite Series feature built-in system memory in the power module to store camera and location-specific pan/tilt settings, including labels, presets, patterns, and zones. These settings are automatically downloaded if a new pan and tilt body is installed.



C1300 / NEW 3-05

IP66



International Standards Organization Registered Firm; ISO 9001 Quality System



TECHNICAL SPECIFICATIONS

PRODUCT FEATURES

- Integral Multi-Protocol Receiver/Driver
- 360° Continuous Pan Rotation, Tilt Range $\pm 90^\circ$
- Quick and Easy Installation
- Designed for Minimal Maintenance, No Gears to Adjust
- Two-Year Continuous-Duty Warranty
- Upright or Inverted Installation

SOFTWARE/HARDWARE

- Programmable Power-up Mode
- Programmable Park
- Sun Shroud, Heater/Window Defroster, and Blower All Standard
- 80 Presets with Custom Camera Settings and Labels
- $\pm 0.1^\circ$ Preset Accuracy
- Multilanguage Menus (English, Spanish, Portuguese, Italian, French, German, Russian, Polish, Turkish, and Czechoslovakian)
- On-Screen Compass, Tilt, and Zoom Display
- Password Protection
- Eight Zones (programmable in size) Can Be Labeled with Up to 20 Characters Each or Set to Output Blank Video
- Programmable Locations of Labels and On-Screen Displays
- Seven Alarm Inputs
- Three Relay Outputs
- Action on Alarm – Alarms can be individually programmed for three priority levels, to initiate a stored pattern, or to go to an associated preset when received
- Resume After Alarm – Allows the pan/tilt to return to a previously programmed state after alarm acknowledgement or to its previous position before alarm
- Patterns – Up to four, on-screen, user-defined programmable patterns. Includes pan, tilt zoom, and preset functions
- Proportional Pan/Tilt – Continually decreases pan and tilt speeds in proportion to depth of zoom
- Variable Scan Speed – Scan speed can be programmable between 1-40°/sec
- Programmable Limit Stops for Auto/Random/Frame Scan Modes
- Auto-sensing Protocol (Coaxitron®, RS-422 P and D); Accepts Competitive Control Protocol with Optional Translator Card
- Built-in Menu System for Setup of Programmable Functions

ALL CAMERAS

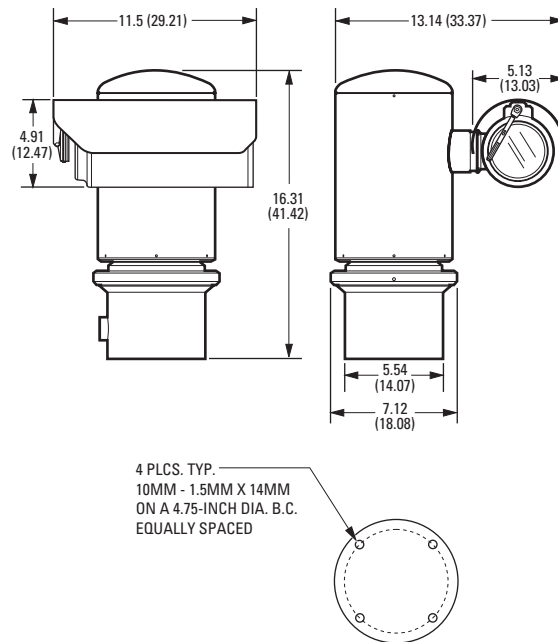
- Auto Focus with Manual Override
- Auto Iris with Manual Override
- Programmable Settings
- AC Line Lock
- NTSC/PAL

ELECTRICAL

Input Voltage	24 VAC or 100-240 VAC
Input Voltage Range	$\pm 10\%$
Power Consumption	Maximum 60 watts (120 VA) per system
Heater and Defroster	Microprocessor controlled
Electrical Connections	6-foot pigtail wire harness with connections for power, video, data control, alarm inputs, and auxiliary outputs

MECHANICAL

Pan Movement	360° Continuous pan rotation
Vertical Tilt	Unobstructed $+90^\circ$ to -90°
Variable Pan/Tilt Speed	
Pan	0.1° to 40°/sec variable-speed operation
Tilt	0.1° to 40°/sec variable-speed operation
Preset Speeds	
Pan	40°/sec
Tilt	40°/sec



NOTE: VALUES IN PARENTHESES ARE CENTIMETERS;
ALL OTHERS ARE INCHES.

TECHNICAL SPECIFICATIONS

GENERAL

Construction	316L stainless steel
Finish	Electropolish
Viewing Window	0.50-inch (12.7 mm) thick, soda-lime tempered glass
Operating Temperature	-60°C to 60°C
Unit Weight	55 lb (25 kg)
Shipping Weight	73 lb (33 kg)
Effective Projected Area (EPA)	131.9 square inches

CERTIFICATIONS/RATINGS

- UL/cUL Listed
- UL/cUL Hazardous Locations Listed per NEC Division and Zone requirement
- Class I, Groups A, B, C, and D
- Class II, Groups E, F, G, T5
- Class I, Zone 1, AEx d IIC, Ex d IIC, T5
- BR-Ex d IIC, T5, IP66
- 04/UL – BRAE – 0027
- IECEx UL 04.0010, Ex d IIC, T5
- 04 ATEX 0413858
- **CE** 0035 **Ex** **D** II 2 G Ex d IIC, T5
- **Ex** **D** II 2 D T105 C, IP66
- (Tamb -60°C to 60°C)
- Meets NEMA Type 4X standards

At the time of this printing, all other certifications are pending. Please consult the factory, our web site (www.pelco.com), or the most recent B.O.S.S.® update for the current status of certifications.

CAMERA/OPTICS

	Day/Night (23X)	Color, LowLight™ (22X)
Signal Format	NTSC, PAL	NTSC, PAL
Scanning System	2:1 Interlace	2:1 Interlace
Image Sensor	1/4-inch CCD	1/4-inch EXview HAD™ CCD
Effective pixels		
NTSC	724 (H) x 494 (V)	768 (H) x 494 (V)
PAL	724 (H) x 582 (V)	752 (H) x 582 (V)
Horizontal Resolution		
NTSC	>470 TV lines	>470 TV lines
PAL	>470 TV lines	>460 TV lines
Lens	f/1.6 (f = 3.6–82.8 mm optical)	f/1.6 (f = 4–88 mm optical)
Zoom	23X optical, 10X digital	22X optical, 10X digital
Programmable Zoom Speed (Optical Range)	2.9/4.2/5.8 seconds	2.4/3.9/6.3 seconds
Horizontal Angle of View	54° at 3.6 mm wide zoom; 2.5° at 82.8 mm telephoto zoom	47.3° at 4.0 mm wide zoom; 2.2° at 88 mm telephoto zoom
Focus	Automatic with manual override	Automatic with manual override
Maximum Sensitivity @35 IRE		
NTSC	0.08 lux at 1/2 sec shutter (color) 0.3 lux at 1/60 sec shutter (B-W) 0.013 lux at 1/2 sec shutter (B-W)	0.02 lux at 1/2 sec shutter
PAL	0.08 lux at 1/1.5 sec shutter (color) 0.3 lux at 1/50 sec shutter (B-W) 0.013 lux at 1/1.5 sec shutter (B-W)	0.02 lux at 1/1.5 sec shutter
Sync System	Internal/AC line lock, phase adjustable via remote control, V-Sync*	Internal/AC line lock, phase adjustable via remote control, V-Sync*
White Balance	Automatic with manual override*	Automatic with manual override*
Shutter Speed	Automatic (electronic iris)/Manual	Automatic (electronic iris)/Manual
NTSC	1/2–1/30,000*	1/2–1/30,000*
PAL	1/1.5–1/30,000*	1/1.5–1/30,000*
Iris Control	Automatic Iris Control with manual override*	Automatic Iris Control with manual override*
Gain Control	Automatic/OFF*	Automatic/OFF*
Video Output	1 Vp-p, 75 ohms	1 Vp-p, 75 ohms
Video Signal to Noise	>50 dB	>50 dB

*Manual control of camera setup functions can be done with CM6700, CM6800, CM9760, CM9770, CM9780, KBD200A, KBD300A, and MPT9500 controllers, but not with CM7500, MPT9000 or KBD9000 controllers.

MODEL NUMBERS

MODELS

	Model	Format	24 VAC	100-240 VAC
22X Color	Standard	NTSC PAL	IPSM30C22-2 IPSM30C22-2X	IPSM30C22-7 IPSM30C22-7X
	With Wiper	NTSC PAL	IPSM31C22-2 IPSM31C22-2X	IPSM31C22-7 IPSM31C22-7X
23X Day/ Night	Standard	NTSC PAL	IPSM30CBW23-2 IPSM30CBW23-2X	IPSM30CBW23-7 IPSM30CBW23-7X
	With Wiper	NTSC PAL	IPSM31CBW23-2 IPSM31CBW23-2X	IPSM31CBW23-7 IPSM31CBW23-7X

RELATED PRODUCTS

TXB Series*	Translator boards for AD Manchester, Philips (Burle), Sensormatic, and Vicon® protocols.
IPS-RMK	Remote monitor kit. Includes TFT-LCD monitor, PDA handheld, cables, and carrying case. Allows viewing of camera video, local PTZ control, and system setup.
IPS-CABLE	Remote monitor cable and software kit.
IPS-RDPE-2*	Remote data port. 24 VAC, wall/pole mount video/data breakout box. Allows ground-level control/programming when used with the IPS-RMK.
VC-UTP	Converts video for use with unshielded twisted pair (UTP); cannot be used simultaneously with TXB translator boards.

*If TXB boards are installed, remote upload of system software will not be possible.

RECOMMENDED CONTROLS

All Pelco multiplexer and matrix switchers:
CM6700, CM6800, CM9700 Series, MPT9500, MPT9000, and MX4000 Series.

RECOMMENDED KEYBOARD CONTROLS

(For use in Direct Mode operation only)

KBD200A	Desktop keyboard, multi-speed PTZ control.
KBD300A	Desktop keyboard, vari-speed PTZ control.

Note: System keyboards require a remote keyboard wiring kit (KBDKIT) for direct mode operation; allows two-wire control of up to 16 daisy-chained receivers. Keyboards output Pelco P protocol at 4800 baud.



Pelco Worldwide Headquarters:

3500 Pelco Way, Clovis, California 93612-5699 USA

USA & Canada Tel: (800) 289-9100 • FAX (800) 289-9150

International Tel: (559) 292-1981 • FAX (559) 348-1120

www.pelco.com

Pelco, the Pelco logo, B.O.S.S., and Coaxitron are registered trademarks of Pelco.

ExSite and LowLight are trademarks of Pelco.

EXview HAD is a trademark of the Sony Corporation.

Vicon is a registered trademark of Vicon Industries, Inc.

Specifications subject to change without notice.

©Copyright 2005, Pelco. All rights reserved.